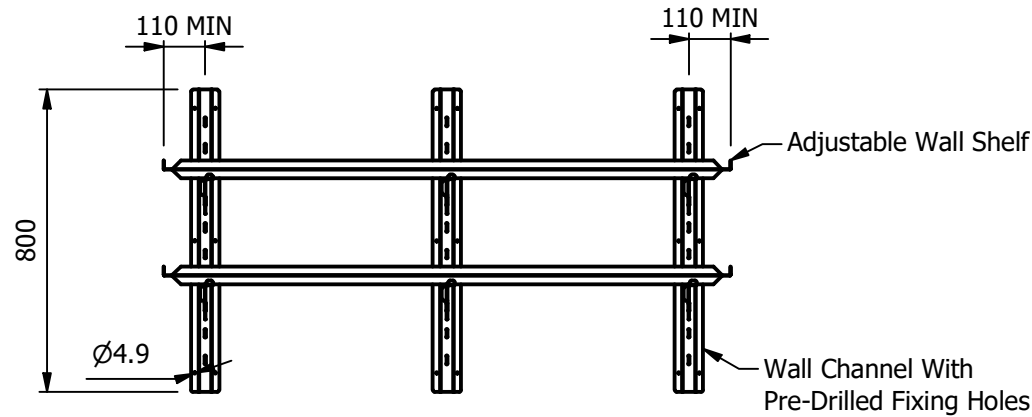


WS2/15




**Moffat Specification WS1**

- TOP ----- 1.2mm Thick 304 Grade St/Steel
- Brackets ----- 1.5mm Thick 304 Grade St/Steel
- Wall Channel ----- 1.5mm Thick 304 Grade St/Steel

ALL SHEET METAL DIMENSIONS ARE I/S (INSIDE SIZES) (UNLESS OTHERWISE STATED)

ALL DIMENSIONS IN (mm), TOLERANCE = LINEAR ± 0.5mm, ANGULAR ± 0.5mm (OR AS STATED). ALL SHARP EDGES TO BE REMOVED FROM SHEET METAL PARTS

Product	FABRICATION			Product No	WS1/15							
Description	ADJUSTABLE WALL SHELF 1500x300mm WIDE			WS2/15			 The Catering Equipment Company					
Material/Finish	Thickness		Desp/Date									
Legacy P/N	Weight	15.07Kg	Quote No.	N/A			Dwg No.	WSA-002378	Issue			
Client	N/A			SO Number	N/A			Drawn By	L.Barr	<b>A</b>		
Client Project	N/A			Approved By				Date	13/02/2018			
E & R MOFFAT LTD, SEABEGS ROAD, BONNYBRIDGE, FK4 2BS, T: +44 (0)1324 812272, E: sales@ermoffat.co.uk, Web: www.ermoffat.co.uk								Scale	1:20	Sheet	1 / 1	<b>A4</b>

© No reproduction or publication of this drawing may be made, and no article may be manufactured or assembled in accordance with this drawing without prior written consent. This prohibition is a term of any contract relating to this drawing. Rights reserved under the Copyright Act 1956 as amended by the Design Copyright Act 1968.