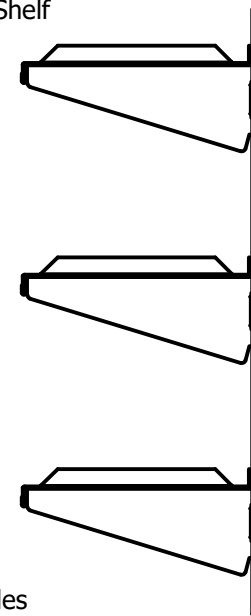
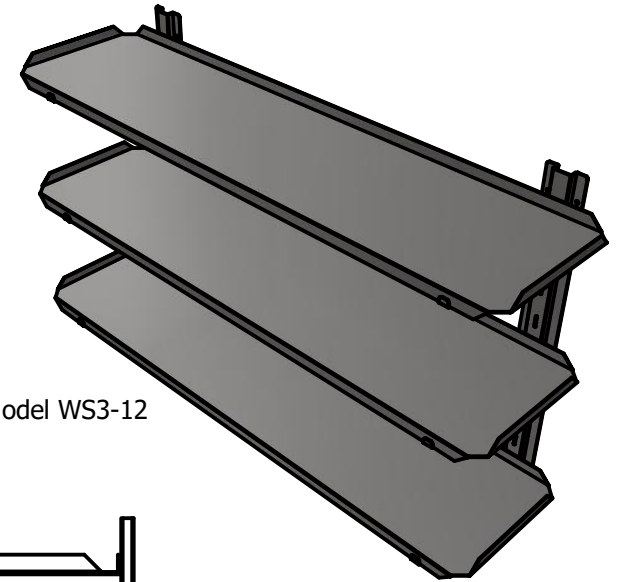


Model WS3-12




Moffat Specification WS1

TOP	-----	1.2mm Thick 304 Grade St/Steel
Brackets	-----	1.5mm Thick 304 Grade St/Steel
Wall Channel	-----	1.5mm Thick 304 Grade St/Steel

ALL SHEET METAL DIMENSIONS ARE I/S (INSIDE SIZES) (UNLESS OTHERWISE STATED)

ALL DIMENSIONS IN (mm), TOLERANCE = LINEAR ± 0.5mm, ANGULAR ± 0.5mm (OR AS STATED). ALL SHARP EDGES TO BE REMOVED FROM SHEET METAL PARTS

Product	FABRICATION			Product No	WS1/12		 The Catering Equipment Company				
Description	ADJUSTABLE WALL SHELF 1200x300mm WIDE			Model WS3-12							
Material/Finish	Thickness		Weight	Desp/Date		<small>No reproduction or publication of this drawing may be made, and no article may be manufactured or assembled in accordance with this drawing without prior written consent. This prohibition is a term of any contract relating to this drawing. Rights reserved under the Copyright Act 1956 as amended by the Design Copyright Act 1968.</small>					
Legacy P/N			11.41Kg	Quote No.	N/A						
Client	N/A			SO Number	N/A		Dwg No.	WSA-002376	Issue		
Client Project	N/A			Approved By		Date	13/02/2018		A		
E & R MOFFAT LTD, SEABEGS ROAD, BONNYBRIDGE, FK4 2BS, T: +44 (0)1324 812272, E: sales@ermoffat.co.uk, Web: www.ermoffat.co.uk							Scale	1:10		Sheet	1 / 1