

Moffat Specification

Storage cupboard with solid stainless steel shelves and worktop

Dimensions

Width - 1807mm
 Depth - 650mm
 Height - 900mm
 Weight - 101kg

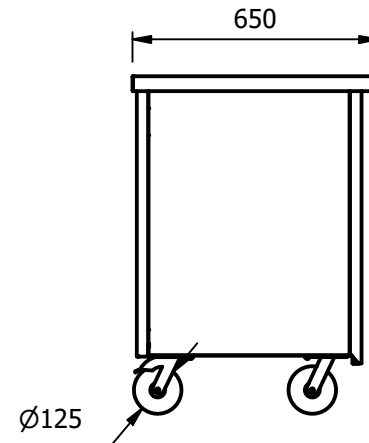
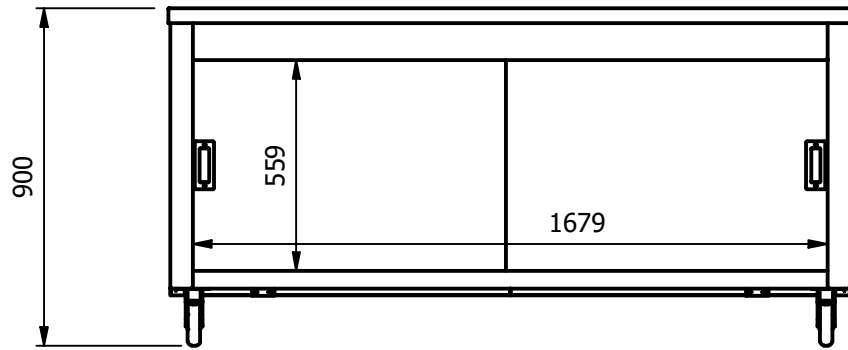
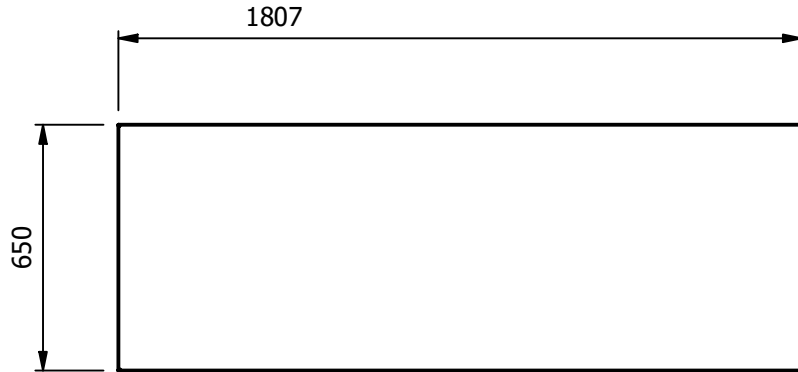
Capacity of Cupboard [usable inside space]

Width - 1679mm
 Depth - 495mm
 Usable Height Bottom shelf - 210mm
 Usable Height Top Shelf - 195mm

190 off 10" plates stacked


Materials

1.2mm 304 Grade St/ Steel Top & Supports
 0.7mm 430 Grade St/ Steel Internal Structure



ALL SHEET METAL DIMENSIONS ARE I/S (INSIDE SIZES) (UNLESS OTHERWISE STATED)

ALL DIMENSIONS IN (mm), TOLERANCE = LINEAR ± 0.5mm, ANGULAR ± 0.5mm (OR AS STATED). ALL SHARP EDGES TO BE REMOVED FROM SHEET METAL PARTS

Product	COUNTERS			Product No			 <p><small>No reproduction or publication of this drawing may be made, and no article may be manufactured or assembled in accordance with this drawing without prior written consent. This prohibition is a term of any contract relating to this drawing. Rights reserved under the Copyright Act 1956 as amended by the Design Copyright Act 1968.</small></p>				
Description	CTSC5										
Material/Finish	Thickness			Desp/Date							
Legacy P/N	Weight	101kg		Quote No.			Dwg No.	CTRP-133248-1	Issue		
Client				SO Number	N/A		Drawn By	N.Raymen			
Client Project				Approved By			Date	13/12/2022			
E & R MOFFAT LTD, SEABEGS ROAD, BONNYBRIDGE, FK4 2BS, T: +44 (0)1324 812272, E: sales@ermoffat.co.uk, Web: www.ermoffat.co.uk							Scale	1 : 20	Sheet	1 / 2	A4