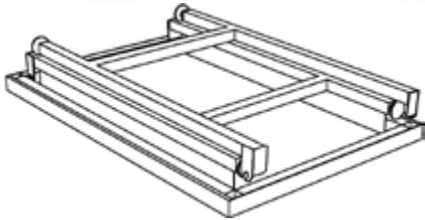


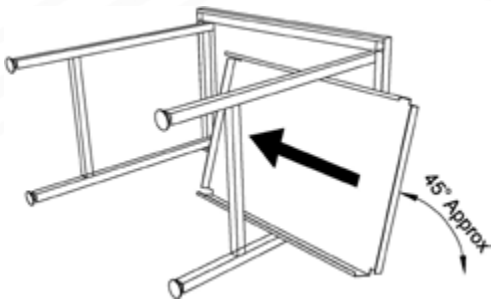
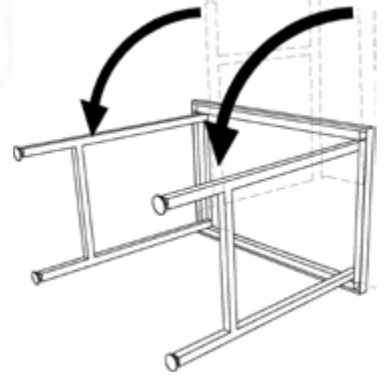
Assembly Instructions



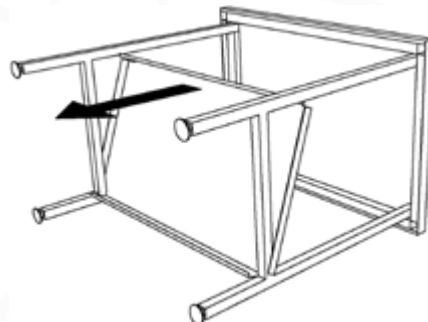
1. lay out table top with folding legs on a clean floor space.



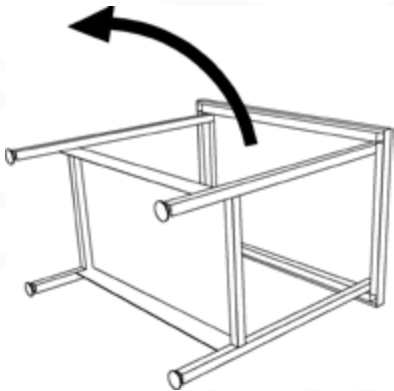
2. Pull up legs and turn over onto side.



3. Carefully slide undershelf into position.



4. locate the bottom corner cut outs first and then swing shelf into position. It is a tight fit the legs must be pushed apart.



5. Turn table over into the upright position.



6. Push down bottom shelf fully securing the legs.

Do not use scouring pads or abrasive cleaners of any type.



Do not use Solvents, bleach, Caustic Cleaners or biological powders

General fabrication and neutral units.

Cleaned with hot soapy water and thereafter dried & polished with a soft dry cloth or leather chamois.

Shelving and understructure

should be similarly cleaned, always ensuring that the stainless steel is wiped in straight strokes following the grain of the material.

Cupboards

The top should be wiped as described above and the interior cleaned with a damp cloth, then dried & polished. If sliding doors are fitted within the unit these can easily be removed for cleaning as described in the instruction manual supplied with the unit.

Any drain holes must also be kept clear from blockage.

Glass panels and sneeze screens should be cleaned with a damp, clean cloth and finish off by carefully drying with a soft dry cloth or kitchen towel.

DO NOT

- Leave wet cloths on the surface
- Do not use strong bleach, or material containing sodium hypochlorite or chlorine.
- Do not soak cloths or materials in bleaching fluids within sink bowl over a period of several hours.
- Do not use concentrated disinfectants within sink bowl. Always dilute and carry out full cleaning instructions.
- Do not use wire wool or abrasive cleaning Materials.
- Do not use acids for cleaning the floor around the unit.

DO

- Wash down regularly with hot soapy water.
- Soap powders (non-abrasive) or cleaning powders may also be used to help remove stubborn deposits
- Rinse surface thoroughly with clean hot or cold water. dry with soft cloth.
- Clean undershelf & legs in the same manner, ensuring that they are properly rinsed with clean water & dried
- When cleaning stainless steel, always wipe in straight strokes following the grain of the Material.

Thank you for choosing E&R Moffat!

Scan the QR code below to visit the
E&R Moffat website for further information:



**Failure to use the correct cleaning
procedure will invalidate the
warranty of your product.**

