

**Overview**

Model P2GRE – Oven, and a Fridge with a Neo-Ceram Hot Top and Gantry.

Model P2GRENG – Oven, and a Fridge with a Neo-Ceram Hot Top.

**Cook & Serve**

Specifically designed for the education sector, where simplicity and ease of use are essential.

These trolleys provide for the efficient cooking, regeneration, and serving of fresh, chilled, or frozen bulk food. Featuring two completely separate compartments—one heated and one refrigerated - ensuring that both hot and cold food is kept at optimum temperature during service. Complete with a stylish black glass hot top, perfect for serving hot meals. The integrated oven uses a unique multi-fan air recirculation system to deliver fast and even heat distribution throughout. The fridge section also features an efficient fan cooling system, ideal for holding chilled items such as salads and desserts. Both the oven and fridge are designed to accommodate GN (Gastronorm) containers, offering eight shelf positions each, set at 71 mm intervals, allowing up to eight GN 1/1 containers to be stored in each compartment. The unit is built for durability and hygiene, with a bright polished stainless steel interior, satin-finished outer panels, and plastic-coated front and sides. It also includes heavy-duty hinged doors with reliable slam-shut catches for everyday use in demanding environments.

The P2GRE model has a gantry pass over shelf with full front screen, this is illuminated and heated by quartz type lamps.



P2GRE  
(with gantry)

**Features:**

- 1/1 GN compatible. Simple to transfer to serving area or load from a companion trolley.
- Neo-Ceram, thermo-panel hot top. (Self regulates around 95°C)
- Steam automatic evac system & oven door air curtain.
- Digital timer and thermostat guarantee precise time and temperature control.
- Simply rotary control, temperature and count down timer display, with an audible buzzer.
- Multi fans deliver even heating across the entire oven chamber, ensuring consistent cooking results.
- Designed for bulk production, with 8 shelf capacity. (Shelf pitch is 71mm)
- Wide choice of coloured front & end panels. (Standard colour is Goose Wing Grey)
- 4 x precision castors, 2 swivel with brakes and 2 fixed. (Easy to push in a straight line)
- Wheels are off set allowing a tight turning circle.
- Shelving and supports are removable for easy cleaning.
- Hi-Tech insulation.
- Cool to touch door with fully adjustable heavy duty hinges and a slam catch maintaining a tight seal.
- R290 Refrigeration with clean-free, fan assisted condenser.



P2GRENG (no gantry)

**Accessories:**

- Fold-down end shelves, up to four can be fitted, two on each side.
- Fold down waste bag holder. This can be fitted on the left or right hand side.
- Fold-down front tray-slide with 3 apertures for cutlery holders.
- Cutlery holders cups for front tray slide option.
- Additional grid shelves.
- Note: 8 shelves are supplied in the oven and 3 in the fridge with order.
- Tow bar & hitch attachment.
- Gastronorm containers.



“Deliver efficiency with every meal – Pro Serve meal service trolleys are designed to keep food hot, service smooth, and operations effortless.”

## P2GRE



Models	Weight (kg)	Length x Width x Height (mm)	Electrical Supply	Power Rating on cook mode (kw)	Power Rating serve mode (kw)
P2GRE13	180	1478 x 740 x 1282	1 x 13amp 1 PH	2.7 / 0.4	2.5
P2GRE32	180	1478 x 740 x 1282	1 x 32amp 1 PH	2.7 / 0.4	2.5
P2GRE163	180	1478 x 740 x 1282	1 x 16amp 3PH	2.7 / 0.4	2.5
P2GRE323	180	1478 x 740 x 1282	1 x 32amp 3 PH	2.7 / 0.4	2.5
P2GRENG13	169	1478 x 740 x 960	1 x 13amp 1 PH	2.7 / 0.4	1.84
P2GRENG32	169	1478 x 740 x 960	1 x 32amp 1 PH	2.7 / 0.4	1.84
P2GRENG163	169	1478 x 740 x 960	1 x 16amp 3PH	2.7 / 0.4	1.84
P2GRENG323	169	1478 x 740 x 960	1 x 32amp 3 PH	2.7 / 0.4	1.84

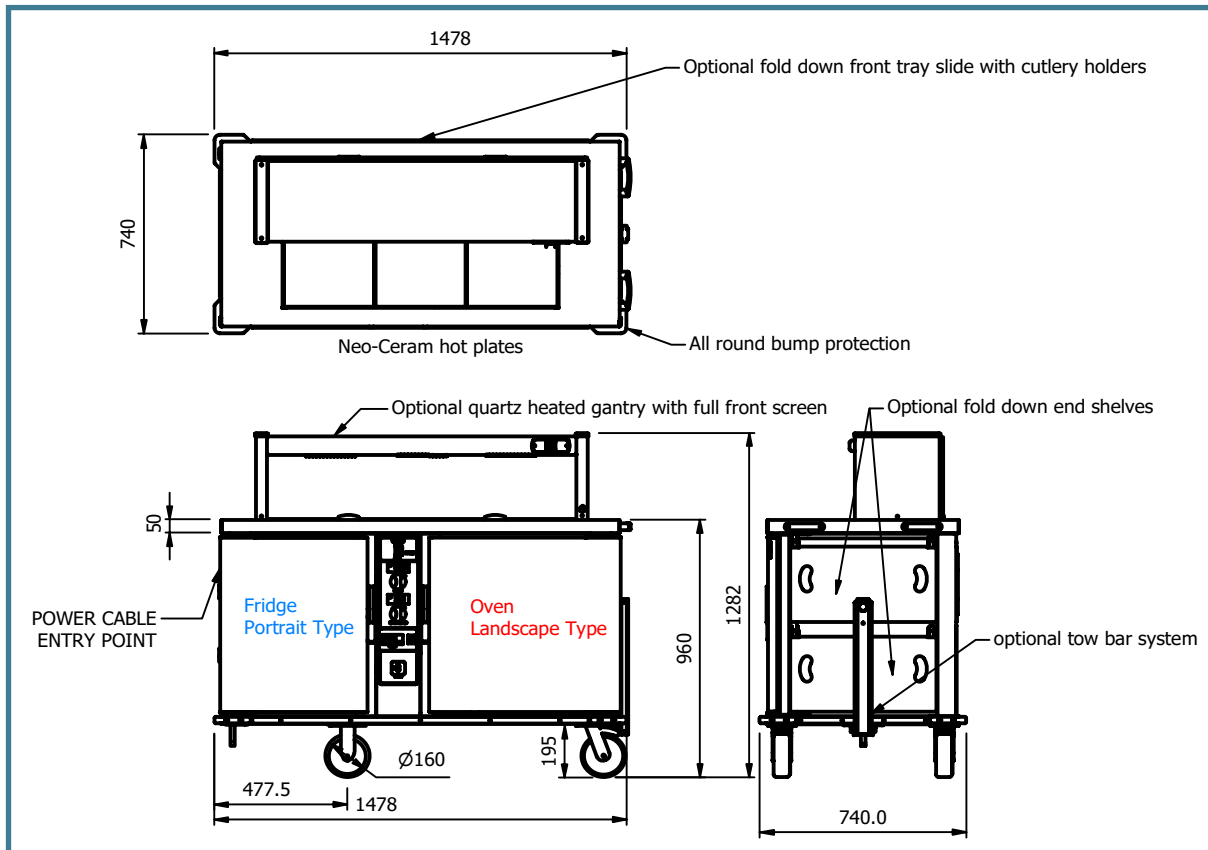
### These models have clever and simple operation modes: Cook / Standby / Serve

**Cook mode:** Full power to the oven & fridge, the power to the Hot top and optional Gantry is automatically inhibited.

**Standby mode:** Power to oven, fridge and hot top is switched off.

**Serve mode:** Power to the oven is limited to keep hot only, Power to Hot top and optional Gantry is switched on.

	Left-Hand Fridge Capacity (Usable space totals 113 litres)	Right-Hand Oven Capacity (Usable space totals 113 litres)	Glass Top Area (Heated area)
Width	325 mm	530 mm	980 mm
Depth	530 mm	325 mm	530 mm
Pitch (per shelf)	71 mm	71 mm	N/A
	8 Grid Shelf Positions (8 Supplied)	8 Grid Shelf Positions (8 Supplied)	



MADE IN BRITAIN

E&R Moffat Ltd.  
Bonnybridge  
FK4 2BS  
Scotland



www.ermoffat.co.uk  
+44 (0) 1324 812272  
sales@ermoffat.co.uk